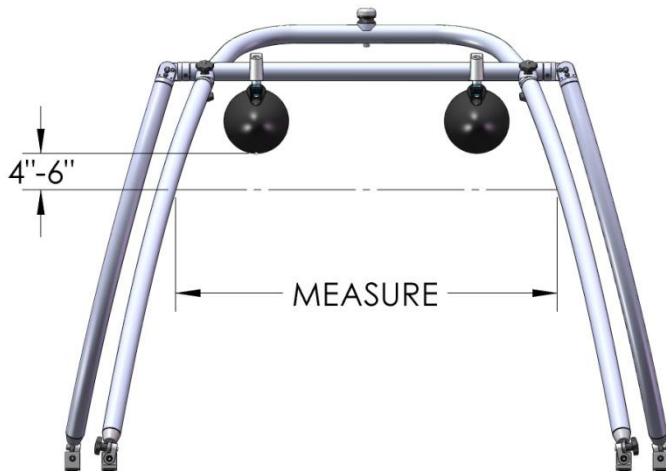


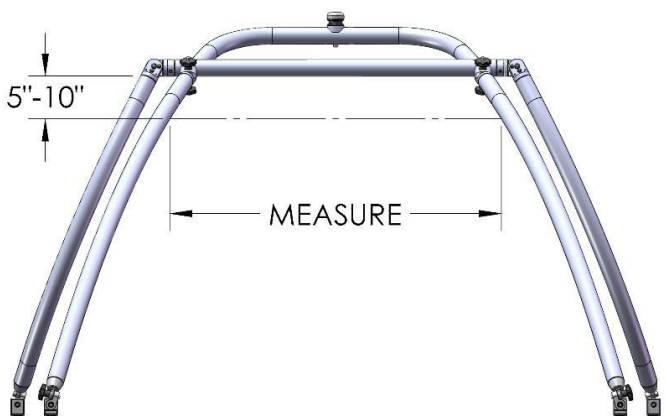
How to Choose the Correct Size Cargo Rack Bimini

The frame of the Cargo Rack Bimini mounts between the legs of the tower. Determine which is narrower: the space between the two rear legs on your tower or the space between the two front legs. The narrower of the two will determine the width of the bimini that can be fit between them. Take the following measurement between the legs that have the narrower space. The distances measured need not be exact. (Illustrations are shown for example.)

If you have accessories such as speakers hanging from the top of the tower, measure the inside width of the tower 4" to 6" below those accessories:



If you have no hanging accessories, measure the inside width 5" to 10" from the bottom of the top section of the tower:



Once you have this measurement, you can determine the bimini size that you need.

If you measured:	Then you need a Bimini in size:
53" to 65"	Small
65" to 77"	Medium

If your measurement is a little less than 65", then it may be better to get the medium bimini and mount it a little farther down the legs. However, this will reduce headroom. Although headroom is essential, some headroom can be sacrificed for the additional shade of a wider bimini. The width of the bimini canvas is close to the lower end of each measurement range. The remainder of the width is compensated by telescoping members that do not provide shade coverage for the gap between the tower and bimini.